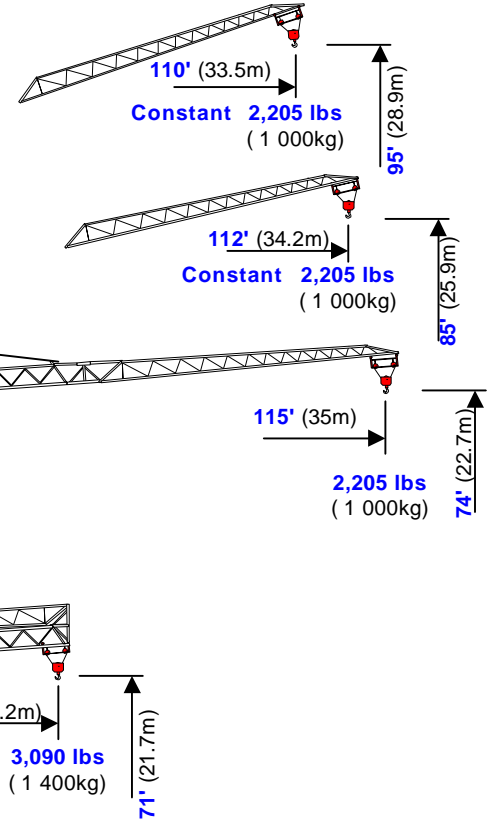


Self-Erecting Crane

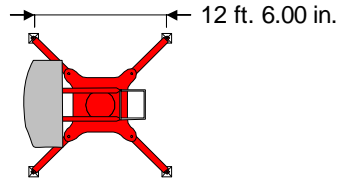
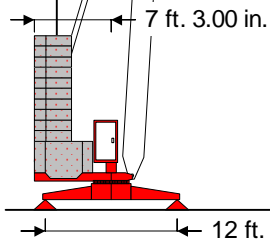
202

74' - 115' - 2,205 lbs
(23 - 35 - 1 000)

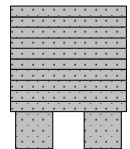


(303) 288-0746

Power Requirements
240V Three Phase



Base Ballast X 2 8,820 lbs
 Ballast Blocks X 10 4,410 lbs
 Total Ballast: 61,740 lbs
 Crane Weight: 30,200 lbs
 Total Erected Weight: 91,940 lbs



Hook Radius	ft.	52	56	62	69	75	82	89	95	102	108	115
	meters	15.9	17.0	19.0	21.0	23.0	25.0	27.0	29.0	31.0	33.0	35.0
Maximum Capacities	lbs.	5,513	5,094	4,498	3,991	3,594	3,263	2,977	2,734	2,536	2,359	2,205
	tonnes	2.50	2.31	2.04	1.81	1.63	1.48	1.35	1.24	1.15	1.07	1.00

Creative Lifting Services Inc.

Call Will Phone: 303-659-8102 Fax: 303-659-5314
 will@creativelifting.com www.creativelifting.com