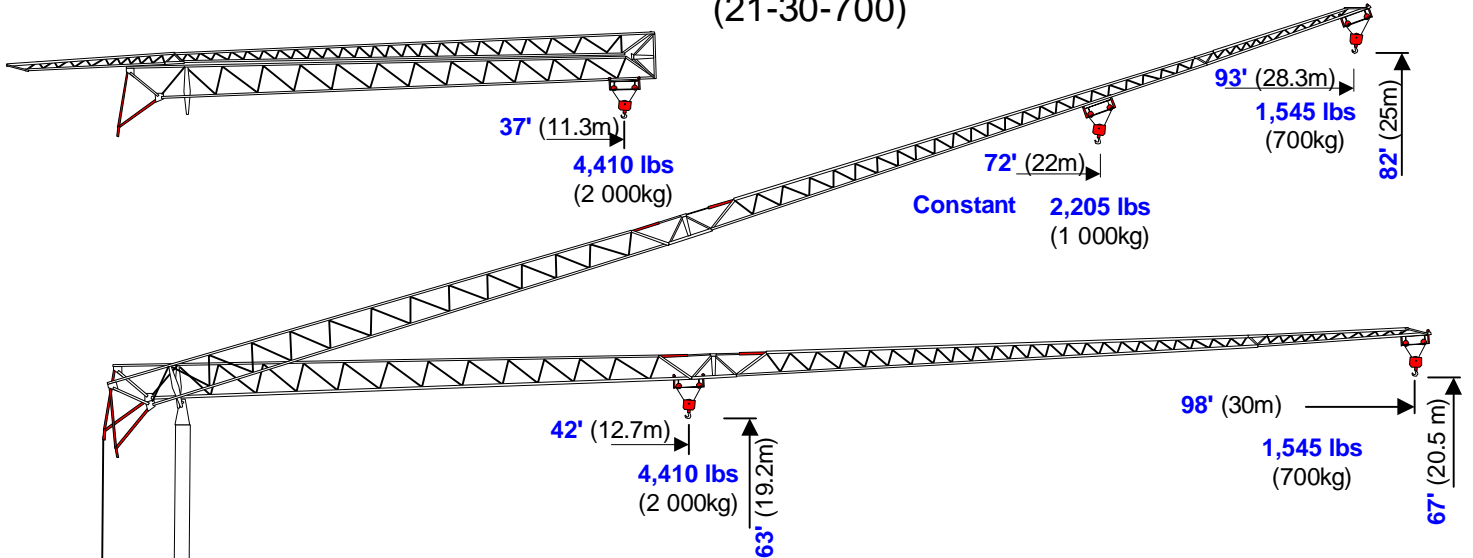




1598 (1.201)

67' - 98' - 1,545 lbs

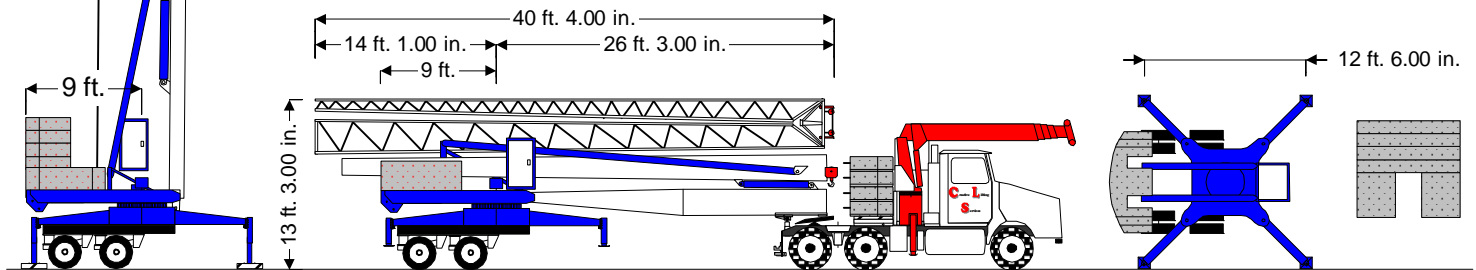
(21-30-700)



Power Requirements
Single Phase OR Three Phase
240V or 480V

Crane Weight: 22,050 lbs
Base Ballast X 2: 6,615 lbs
Axles: 4,500 lbs
Total Towed Weight: 39,780 lbs

Crane Weight: 22,050 lbs
Base Ballast X 2: 6,615 lbs
Ballast Blocks X 4: 4,135 lbs
Total Ballast: 29,770 lbs
Axles: 4,500 lbs
Total Erected Weight: 56,320 lbs



Hook Radius	ft.	40	46	52	59	66	72	79	85	92	98
	meters	12.2	14	16.0	18.0	20.0	22.0	24.0	26.0	28.0	30.0
Maximum Capacities	lbs.	4,410	3,771	3,241	2,822	2,492	2,227	2,029	1,830	1,676	1,544
	tonnes	2.00	1.71	1.47	1.28	1.13	1.01	0.92	0.83	0.76	0.70

Creative Lifting Services Inc.

Call Kelly or Will Phone: 303-659-8102 Fax: 303-659-5314

kelly@creativelifting.com will@creativelifting.com www.creativelifting.com